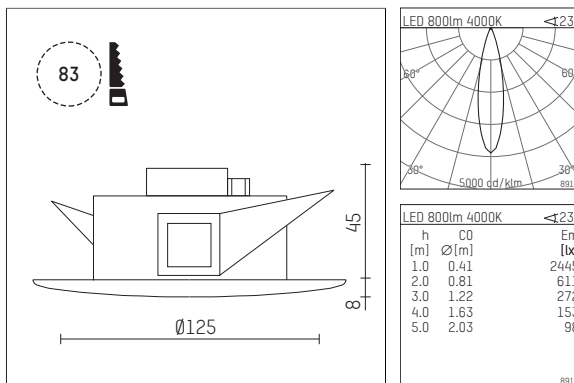


## 106 902 04 902 | stainless steel

DL 100 | IP65

downlight

LED | 800 lm 4000 K



- downlight DL 100 IP65
- with a rim projecting over the ceiling
- for installation into suspended ceilings or casting drums
- with LED 800 lm
- colour temperature: 4000 K
- colour rendering index: CRI 80
- L80 / B10 (50.000h)
- SDCM < 3
- total load: 10 W
- rotationsymmetrical light distribution, medium
- beam angle: 25 °
- with external LED power unit, electronic, 220-240 V, 50/60 Hz
- Dimming with external dimmers possible (trailing-edge and leading-edge)
- power supply: accessory for through-wiring 2x5x2,5 mm<sup>2</sup>
- housing of die cast aluminium
- safety glass, clear
- recessing ring of thermoplastic
- ceiling trim of stainless steel
- height: 45 mm
- diameter: 125 mm, recessing diameter: 83 mm
- recessing depth: 67 mm, ceiling thickness: max. 25 mm
- weight: 0,7 kg
- protection rating: IP65 (ballast IP 20)
- protection class II
- certificates: manufactured according to DIN VDE 0711 / EN 60598
- 5 years Hoffmeister warranty
- colour: stainless steel
- 106 902 04 902

- Overview of accessories on the following page / s

106 902 04 902  
**accessory**

### Optional accessories

description accessory general	dimensions in mm	item number	pic.-No.
housing for concrete cast for ceiling recessed luminaires DL 100	∅xLxH: 160 x 395 x 133	035 546 00 000	01
cover plate for housing for concrete cast for downlights with 85 mm ceiling cut out		035 547 00 000	02
IP65 box for LED-Power unit Without power unit (included with DL100 downlight)The recessing depth of the downlight increases(please refer to the mounting instruction for correct values)		107174	03

