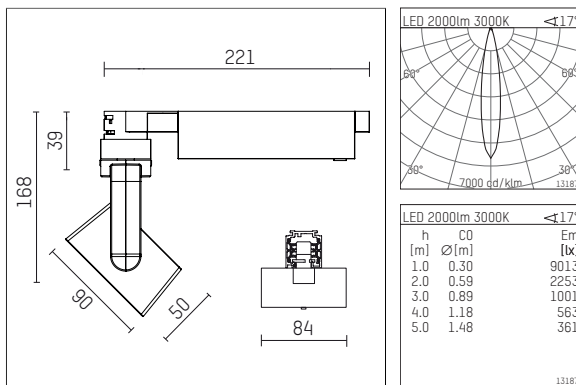




**119 522 13 721 | black**

high.tech  
spotlight  
LED | 2000 lm 3000 K



- spotlight high.tech
- with 3 circuit universal adapter
- for Hoffmeister control.x tracks
- circuit selection is possible while adapter is inserted into the track
- passive thermo management
- with LED 2000 lm
- colour temperature: 3000 K
- colour rendering index: CRI >90
- L90 / B10 (50.000h)
- SDCM < 2
- total load: 22 W
- rotationsymmetrical light distribution, spot
- beam angle: 17 °
- LED power unit integrated in adapter, electronic, 220-240 V, 0/50/60 Hz
- dimmable
- adapter mit integrated potentiometer
- dimming range: 100-0,5 %
- housing of die cast aluminium
- adapter of fibreglass reinforced thermoplastic
- length: 221 mm, width: 84 mm, height: 168 mm
- rotatable 360°, 90° tiltable
- weight: 0,9 kg
- protection rating: IP20
- protection class I
- maximum ambient temperature: 35 ° C
- certificates: manufactured according to DIN VDE 0711 / EN 60598
- 5 years Hoffmeister warranty
- colour: black
- 119 522 13 721

- - -