

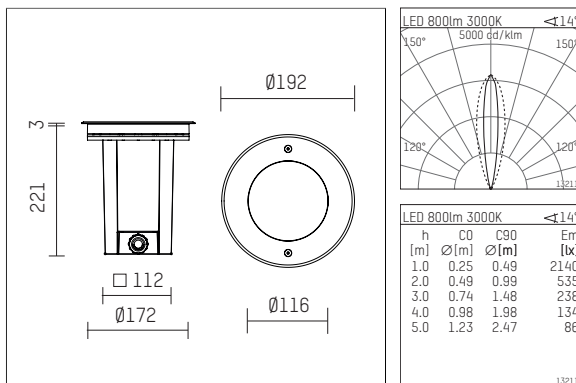


071 306 03 902 | stainless steel

in.ground 100 | round shaped design
inground luminaire
LED | 800 lm 3000 K

LED

EVG IP68



- inground luminaire in.ground 100 round shaped design
- directional spotlight
- with recessing box of polyamid, fibreglass reinforced
- with LED 800 lm
- colour temperature: 3000 K
- colour rendering index: CRI >90
- L80 / B10 (50.000h)
- SDCM < 2
- total load: 10 W
- rotationsymmetrical light distribution, oval flood
- with build in LED power unit, electronic, 220-240 V, 50/60 Hz
- power supply: supply cord, H07RN-F 3x1,5 mm², Länge: 500 mm
- housing of cast aluminium
- safety glass, clear
- ceiling frame of stainless steel
- diameter: 192 mm
- recessing depth: 221 mm
- load capacity 1000 kg or 3000 kg with seperate installation
- housing of steel
- rotatable 360°, 0° - 30° tiltable
- weight: 3,6 kg
- protection rating: IP68 1m / 1h
- colour: stainless steel
- 071 306 03 902

- Overview of accessories on the following page / s

071 306 03 902
accessory**Optional accessories**

description accessory general	dimensions in mm	item number	pic.-No.
connection sleeve for ground recessed luminaire in.ground 150	ØxL: 26,5 x 116	071 212 00 000	01
moulded sleeve for connecting to an underground cable	LxWxH: 150 x 75 x 50	071 213 00 000	02
in-ground housing for ground recessed luminaire in.ground 100	LxWxH: 328 x 246 x 249	071 400 00 000	03

