

Cubism

Cubism | distinctive, stylish, sophisticated



Made from 100% polyester, with over 50% recycled content. The panels can also be recycled making them an incredible environmentally friendly product.

Different colour finishes and a spray paintable option makes this design versatile enough to be used in any environment from schools to offices with its four differently levelled planes in one panel. Cubism not only has fantastic acoustic properties and the asymmetrical design offers the user the ability to use 16 units in a square before repeating the pattern. The nature of the product ensures it is non-toxic, and is therefore guaranteed not to irritate or react with allergies.

Soundtect Cubism — Product Benefits

- Easy to Install — the panels are easily wall mounted and can be used to create floating ceilings that absorb sound and enhance sound quality.
- Better balancing of sound by offering Class A Absorption to increase speech intelligibility in a specific area while reducing background sound noise levels.
- A better way to transform open, sound-challenged spaces into more comfortable environments.

Use:

Soundtect panels are for indoor use only but can be used in any area that acoustic treatments are required including areas of high levels of humidity such as swimming pools, as polyester fibre showed only 0.03% absorption of moisture during recent testing where panels were subjected to high humidity of 90% for a five day period. Moisture does not affect polyester and is therefore safe and usable in all interior applications.



Product Care

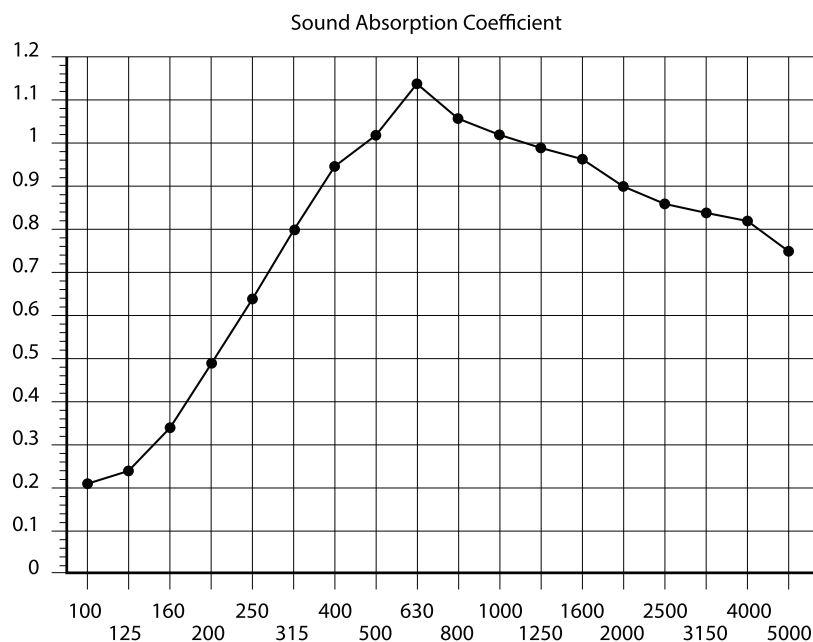
Soundtect panels are easy to clean. Please use soap and water or specific carpet cleaner to remove stains or marks. The panel should be blotted first to remove surface spills and then cleaned gently with a soft clean cloth taking care not to rub excessively or use excess water. Panels with Paint Finish can be lightly painted over once; further coats of paint would compromise the acoustic performance.

Technical Details

Soundtect have had tests for Fire and Acoustic Performance. Full test reports are available on request.

Acoustic Performance

Cubism offers excellent sound absorption, making it ideal for use for any sound absorption requirement. The Laboratory Measurement of Random Incidence Sound Absorption to BS EN ISO 354:L2003, tested at SRL UK



a w 0.90—Class A

Calculated to EN ISO 11654:1997 @ 0.90, Calculated to ASTM C 423 - 01- NRC 0.90



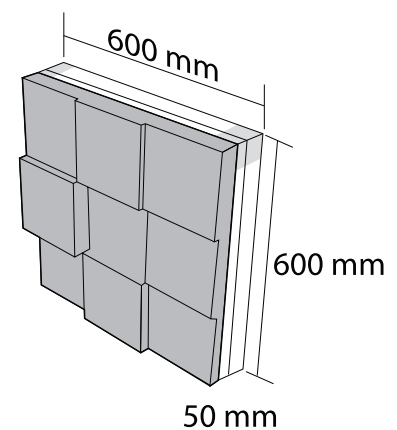
Fire Class Testing

Soundtect panels have been tested to:
 EN ISO 11925-2 Small flame attack
 EN 13823:2010 Single Burning item

Soundtect achieved Class BS1 DO, this makes Cubism suitable for use in Class 1 and Class 0 requirements.

Product Specifications

- Product size: 600x600x50
- Composition: 100% polyester fibre(PET) recycled
- NRC: 0.90
- Fire Class: BS1 DO (UK Class 1)
- Design: Cubism



Suitable for use in:

Auditoriums, Schools, Halls, Offices, Restaurants, Practice Rooms, Studios.